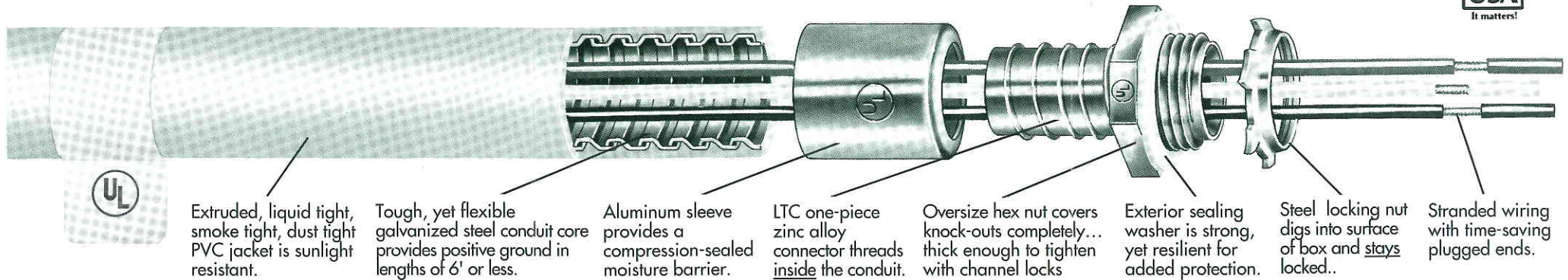


# Liquid tight outdoor conduit whips from LTC save you time and money on the job



Extruded, liquid tight, smoke tight, dust tight PVC jacket is sunlight resistant.

Tough, yet flexible galvanized steel conduit core provides positive ground in lengths of 6' or less.

Aluminum sleeve provides a compression-sealed moisture barrier.

LTC one-piece zinc alloy connector threads inside the conduit.

Oversize hex nut covers knock-outs completely... thick enough to tighten with channel locks

Exterior sealing washer is strong, yet resilient for added protection.

Steel locking nut digs into surface of box and stays locked..

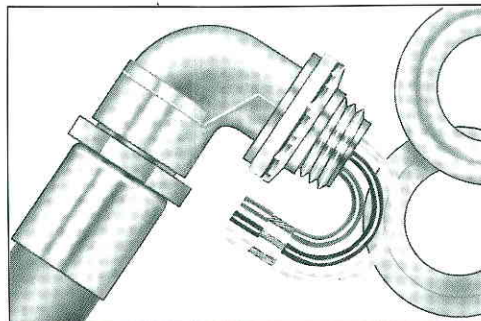
Stranded wiring with time-saving plugged ends.

## Pre-assembled with the finest quality components

### Why LTC's outdoor whips are the best you can buy

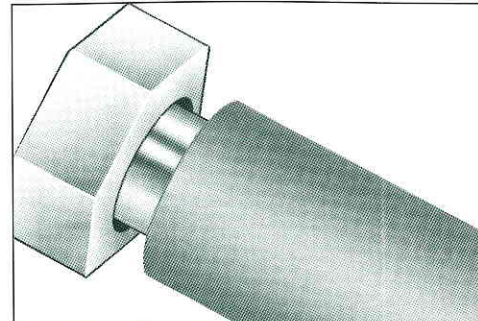
We've put it all together:

- Metallic or non-metallic liquid tight conduits (see reverse side).
- Two patented internal threading, die-cast zinc connectors with extra long ferrules for smoke tight, liquid tight, dust tight seal.
- Stranded wiring with 12" leads and plugged ends to save time on installations. Other lengths available on request.
- UL listed throughout—each component, as well as the entire assembly.



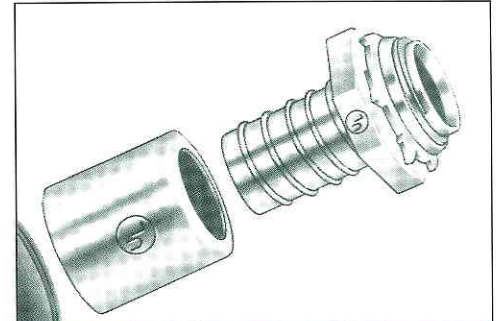
### We provide the "extras" for special installations

With LTC whips, you can be sure that you have everything you need for special applications. We include 2 reducing washers with each whip to quickly solve such common problems as a 3/4" knockout when you only have a 1/2" fitting. We also include a 90° elbow with each whip, ready for use when needed.



### Our exclusive, non-sleeving jacket won't end up like this

You're looking at a perfect example of "sleeving"—conduit covering pulled away from the end fittings. It's an ideal setting for water seepage—and possible wiring failure. Our extruded PVC jacket resists sleeving. And because it maintains an "iron grip" on the conduit core, it also resists slipping or crinkling like non-extruded coverings.



### LTC's patented liquid tight, vapor tight connector

Long, continuously threaded ferrule screws into the conduit for a superior seal against liquids, vapors, smoke and dust. Made of fine zinc alloy, it's salt and chemical resistant. LTC's connector is listed by UL to Class I Division II; exceeds UL specifications for vibration and stress. One-piece design makes installations fast and easy...and the connections are visually inspectable.